

Part number

CK 03 IAN



Brief description:

angled bulkhead housings with single lever, size "21.21", without cable gland, thermoplastic version, IP44, IP66/IP67 degree of protection with CKR 65 kit or CKR 65 D kit.

Product description

Version	thermoplastic version
Series	Angled mounting housings with 1 lever
Product type	with 1 lever
Variant	without cable gland
Style	black colour
Family	CK thermoplastic enclosures
Size	size "21.21"


Technical data

Operating temperature range (min, max)	-40°C ... +125°C
Material	thermoplastic
IP degree of protection	IP44 (IP66/IP67 with CKR 65/CKR 65 D kits)

Further technical details

Weight	17,00 g
---------------	---------

Approvals / Standards

Quality mark	UL type: 12, (type 4/4X only with kit CKR 65 or CKR 65 D),  , EAC
Conformity	CQC, CE

General ordering information

EAN13 code	8015747026307
Tariff number	85369095

Packaging Information

Packaging length	360,00 mm
Packaging height	170,00 mm
Packaging width	305,00 mm
Packaging weight	1,90 kg
Packaging volume	18,67 dm ³
Packaging description	Carton box
Packaging quantity	100 Pcs
Packaging EAN code	8015747026314
Sub-packaging length	140,00 mm
Sub-packaging height	66,00 mm
Sub-packaging width	150,00 mm
Sub-packaging weight	0,19 kg
Sub-packaging volume	1,39 dm ³
Sub-packaging description	Carton Box
Sub-packaging quantity	10 Pcs
Sub-packaging EAN barcode	8015747026321

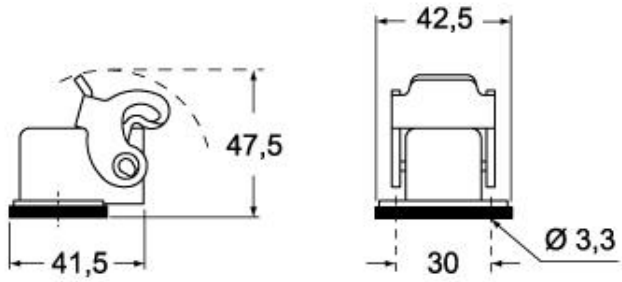
Part number

CK 03 IAN

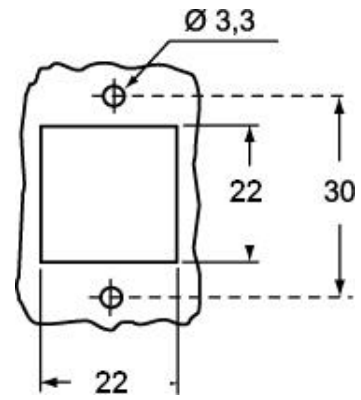


Catalogue drawings

CK IA(N)



Catalogue drawings



CK IAP(N)S - MK IAP (N)

